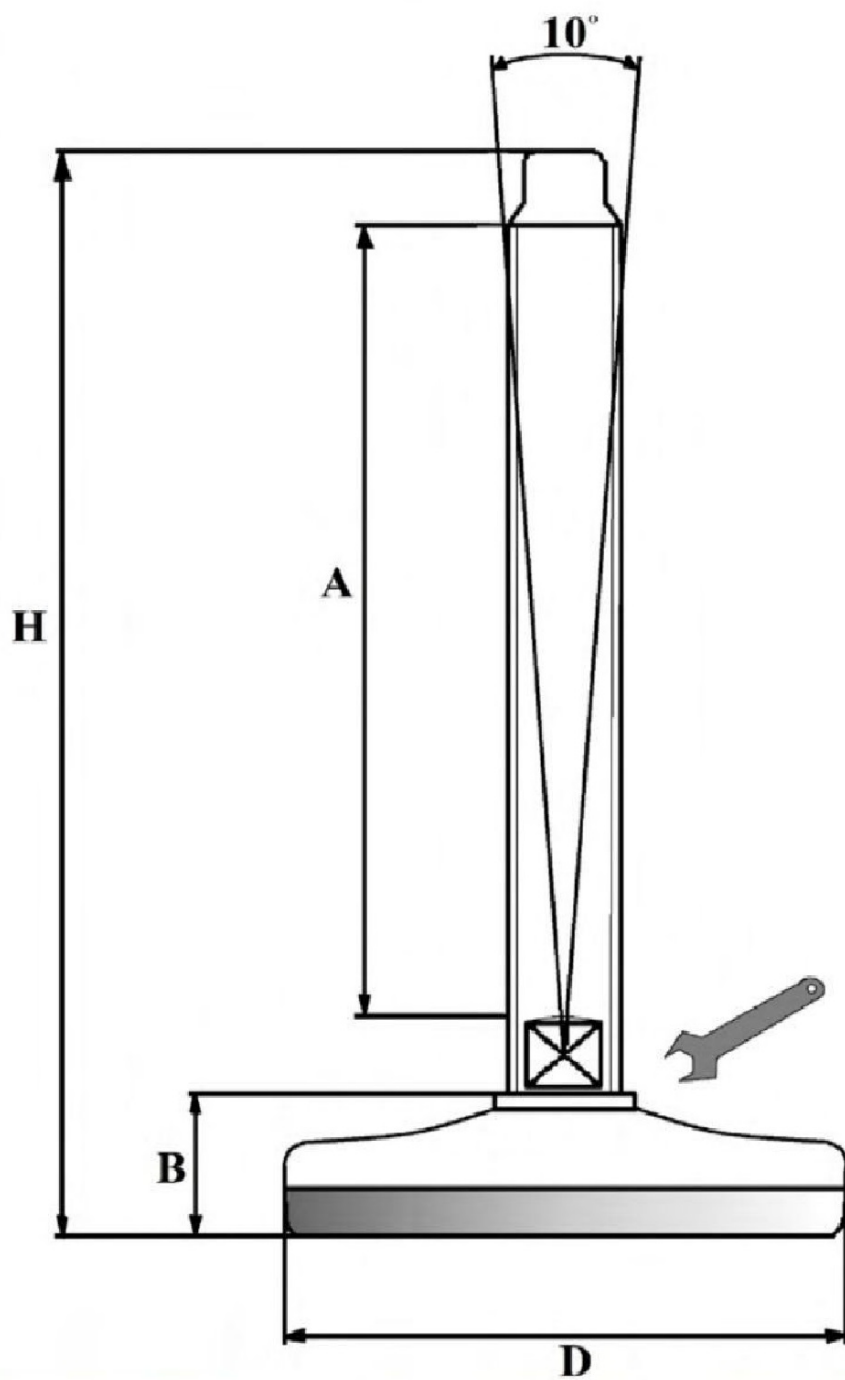


# KATALOG DUDINOX

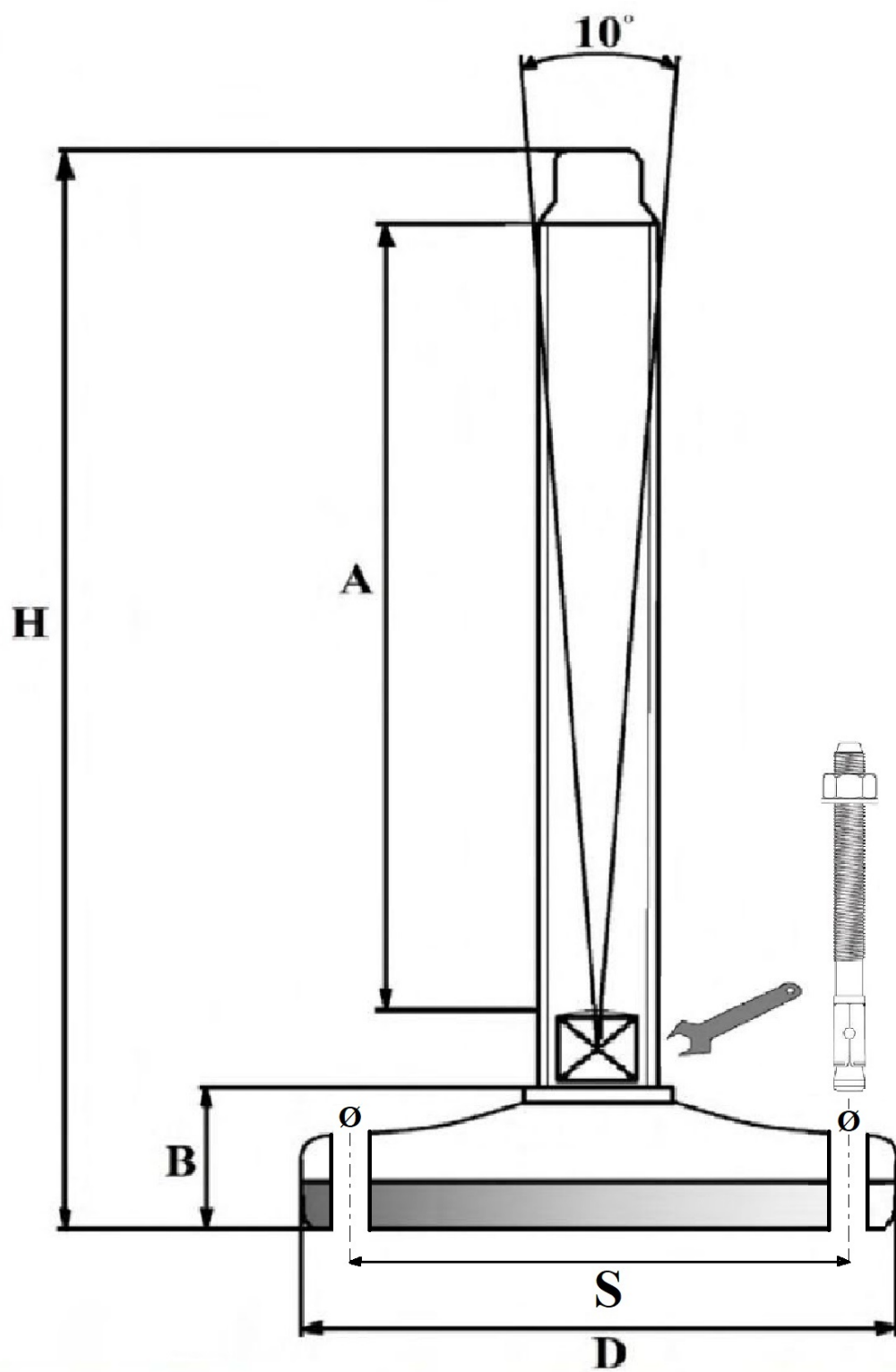
## STOPY DO DUŻYCH OBCIĄŻEŃ



Numer kat	WYMIARY $\varnothing$ 80						max kg
	D	wymiar	klucz	H	A	B	
8008100	$\varnothing$ 80	M8X100	13	131	100	17	1000 kg
8010100	$\varnothing$ 80	M10X100	17	132	100	17	1500 kg
8012100	$\varnothing$ 80	M12X100	19	132	100	17	2000 kg
8012150	$\varnothing$ 80	M12X150	19	182	150	17	2000 kg
8012200	$\varnothing$ 80	M12X200	19	232	200	17	2000 kg
8014100	$\varnothing$ 80	M14X100	11	134	100	17	2000 kg
8014150	$\varnothing$ 80	M14X150	11	184	150	17	2000 kg
8016100	$\varnothing$ 80	M16X100	13	136	100	17	2000 kg
8016150	$\varnothing$ 80	M16X150	13	186	150	17	2000 kg
8016200	$\varnothing$ 80	M16X200	13	236	200	17	2000 kg
8020100	$\varnothing$ 80	M20X100	17	136	100	17	2000 kg
8020150	$\varnothing$ 80	M20X150	17	186	150	17	2000 kg
8020200	$\varnothing$ 80	M20X200	17	236	200	17	2000 kg
8024150	$\varnothing$ 80	M24X150	19	186	150	17	2000 kg
8024200	$\varnothing$ 80	M24X200	19	236	200	17	2000 kg
8030150	$\varnothing$ 80	M30X150	26	186	150	17	2000 kg

Numer kat	WYMIARY $\varnothing$ 100						max kg
	D	wymiar	klucz	H	A	B	
10008100	$\varnothing$ 100	M8X100	13	131	100	17	1000 kg
10010100	$\varnothing$ 100	M10X100	17	132	100	17	1500 kg
10012100	$\varnothing$ 100	M12X100	19	132	100	17	2000 kg
10012150	$\varnothing$ 100	M12X150	19	182	150	17	2000 kg
10012200	$\varnothing$ 100	M12X200	19	232	200	17	2000 kg
10014100	$\varnothing$ 100	M14X100	11	134	100	17	4000 kg
10014150	$\varnothing$ 100	M14X150	11	184	150	17	4000 kg
10016100	$\varnothing$ 100	M16X100	13	136	100	17	4000 kg
10016150	$\varnothing$ 100	M16X150	13	186	150	17	4000 kg
10016200	$\varnothing$ 100	M16X200	13	236	200	17	4000 kg
10020100	$\varnothing$ 100	M20X100	17	136	100	17	4000 kg
10020150	$\varnothing$ 100	M20X150	17	186	150	17	4000 kg
10020200	$\varnothing$ 100	M20X200	17	236	200	17	4000 kg
10024150	$\varnothing$ 100	M24X150	19	186	150	17	4000 kg
10024200	$\varnothing$ 100	M24X200	19	236	200	17	4000 kg
10030150	$\varnothing$ 100	M30X150	26	186	150	17	4000 kg

# STOPY Z OTWORAMI MOCUJĄCYMI



Numer kat	WYMIARY $\varnothing$ 80								max kg
	D	wymiar	klucz	H	A	B	s	$\varnothing$	
8008100	$\varnothing$ 80	M8X100	13	131	100	17	60	8.5	1000 kg
8010100	$\varnothing$ 80	M10X100	17	132	100	17	60	8.5	1500 kg
8012100	$\varnothing$ 80	M12X100	19	132	100	17	60	8.5	2000 kg
8012150	$\varnothing$ 80	M12X150	19	182	150	17	60	8.5	2000 kg
8012200	$\varnothing$ 80	M12X200	19	232	200	17	60	8.5	2000 kg
8014100	$\varnothing$ 80	M14X100	11	134	100	17	60	8.5	2000 kg
8014150	$\varnothing$ 80	M14X150	11	184	150	17	60	8.5	2000 kg
8016100	$\varnothing$ 80	M16X100	13	136	100	17	60	8.5	2000 kg
8016150	$\varnothing$ 80	M16X150	13	186	150	17	60	8.5	2000 kg
8016200	$\varnothing$ 80	M16X200	13	236	200	17	60	8.5	2000 kg
8020100	$\varnothing$ 80	M20X100	17	136	100	17	60	8.5	2000 kg
8020150	$\varnothing$ 80	M20X150	17	186	150	17	60	8.5	2000 kg
8020200	$\varnothing$ 80	M20X200	17	236	200	17	60	8.5	2000 kg
8024150	$\varnothing$ 80	M24X150	19	186	150	17	60	8.5	2000 kg
8024200	$\varnothing$ 80	M24X200	19	236	200	17	60	8.5	2000 kg
8030150	$\varnothing$ 80	M30X150	26	186	150	17	60	8.5	2000 kg

Numer kat	WYMIARY $\varnothing$ 100								max kg
	D	wymiar	klucz	H	A	B	s	$\varnothing$	
10008100	$\varnothing$ 100	M8X100	13	131	100	17	80	10.5	1000 kg
10010100	$\varnothing$ 100	M10X100	17	132	100	17	80	10.5	1500 kg
10012100	$\varnothing$ 100	M12X100	19	132	100	17	80	10.5	2000 kg
10012150	$\varnothing$ 100	M12X150	19	182	150	17	80	10.5	2000 kg
10012200	$\varnothing$ 100	M12X200	19	232	200	17	80	10.5	2000 kg
10014100	$\varnothing$ 100	M14X100	11	134	100	17	80	10.5	4000 kg
10014150	$\varnothing$ 100	M14X150	11	184	150	17	80	10.5	4000 kg
10016100	$\varnothing$ 100	M16X100	13	136	100	17	80	10.5	4000 kg
10016150	$\varnothing$ 100	M16X150	13	186	150	17	80	10.5	4000 kg
10016200	$\varnothing$ 100	M16X200	13	236	200	17	80	10.5	4000 kg
10020100	$\varnothing$ 100	M20X100	17	136	100	17	80	10.5	4000 kg
10020150	$\varnothing$ 100	M20X150	17	186	150	17	80	10.5	4000 kg
10020200	$\varnothing$ 100	M20X200	17	236	200	17	80	10.5	4000 kg
10024150	$\varnothing$ 100	M24X150	19	186	150	17	80	10.5	4000 kg
10024200	$\varnothing$ 100	M24X200	19	236	200	17	80	10.5	4000 kg
10030150	$\varnothing$ 100	M30X150	26	186	150	17	80	10.5	4000 kg